

NOTA:
 CAMBIA PAÑALES NO INCLUIDO
DIAPER CHANGING STATION NOT INCLUDED

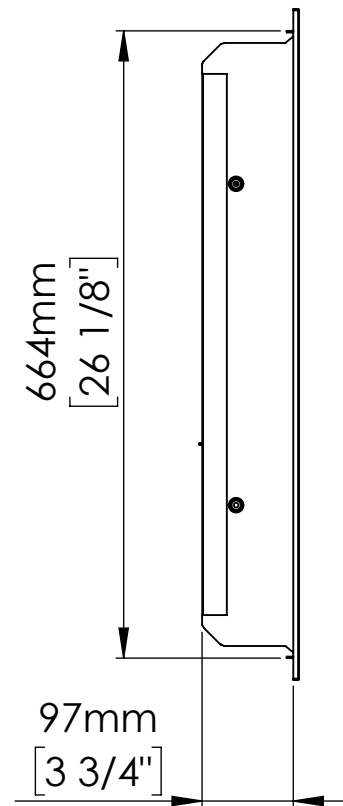
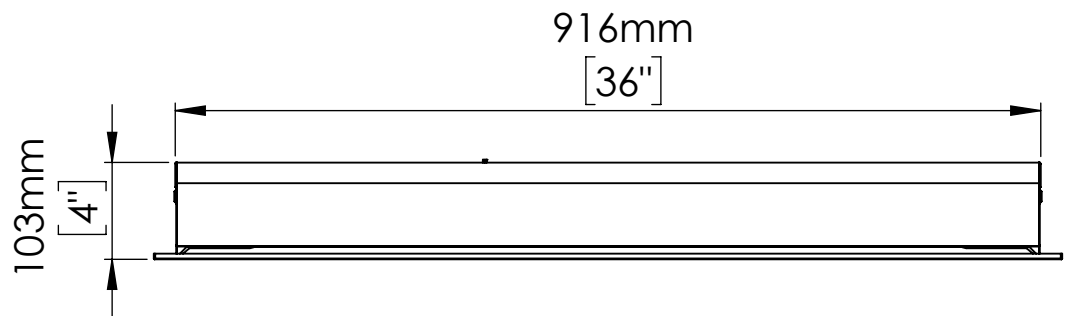
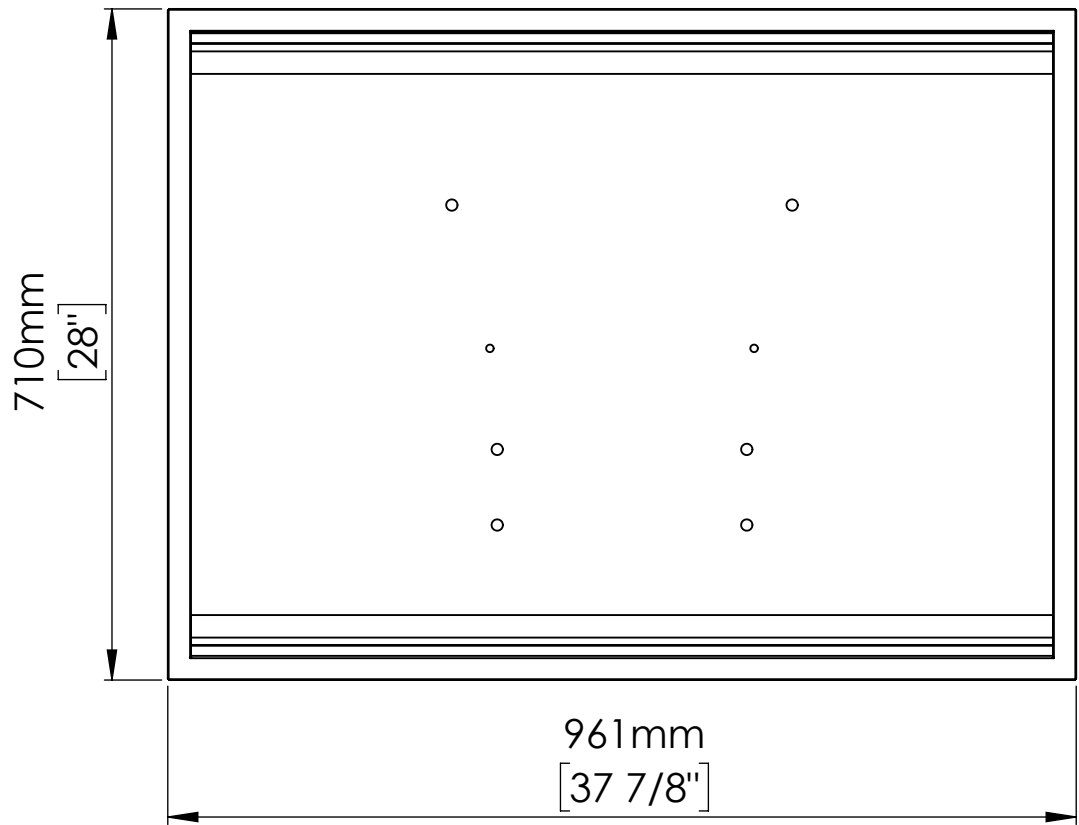
Escala/Scale: 1/8
 Dimensiones/Dimensions. ±4%

Kit empotrable cambiapañales horizontal
Horizontal changing Baby Station recessed kit

Ref. / Code	Material	Acabado / Finish
KT0016HCS	AISI 304	Satinado / Satin
KT0016HCSB	AISI 304	Negro / Black

Fecha / Date: 18/03/2024

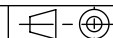
www.mediclinics.com



Kit empotrable cambiapañales horizontal
Horizontal changing Baby Station recessed kit

Ref. / Code	Material	Acabado / Finish
KT0016HCS	AISI 304	Satinado / Satin
KT0016HCSB	AISI 304	Negro / Black

Fecha / **Date:** 18/03/2024



www.mediclinics.com

Escala/**Scale:** 1/8
 Dimensiones/**Dimensions.** ±4%