

MEDISTEEL
Magnifying mirror

AI0170C
Bright finish
General Description

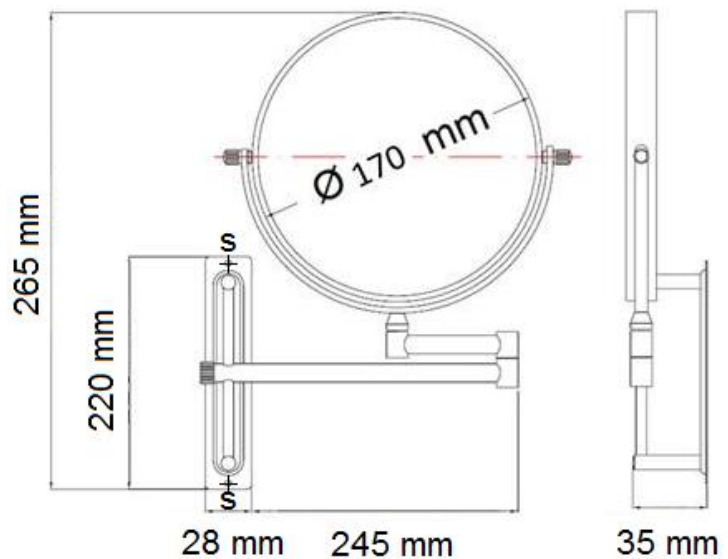
- Surface-mounted dual-sided swivel vanity mirror bright finish, made of stainless steel AISI 304.
- Reversible mirror with one normal reflection face and the other one with triple reflection magnification
- The stainless steel AISI 304 construction protects the product against rust and ensures quality and longevity.
- Model suitable for the hotel sector, elderly centers and homes.

Components & materials

- **MIRROR:** reversible with one normal reflection face and the other one with x3 reflection magnification
- **MIRROR RODS AND SUPPORT:** made of stainless steel AISI 304, bright finish.
- **MIRROR ARM:** articulated and extendable between 235 and 410 mm, made of stainless steel AISI 304.
- **MOUNTING BRACKET:** made of stainless steel AISI 304, bright finish. It is wall mounted using 2 holes \varnothing 4.5 mm and it incorporates a guide that allows adjusting the height of the mirror.

Technical Specifications

Mirror	\varnothing 170 mm
Arm length	235 - 410 mm
Net weight	0.65 Kg

Dimensions

 Dimensions: $\pm 4\%$
MOUNTING

Fix the wall mounting plate on the wall using the provided screws through the corresponding holes (points indicated by an "S" in the upper figure).

OPERATION

No specific instructions for use.