



BG0900CS
Satin finish

General description

- Swing-up grab bar, three fixed positions with a progressive brake system and a built-in toilet roll, to place close to the toilet, providing a reliable handhold use of it.
- The grab bar consists of a "U" shape tube with a crosspiece that incorporates a roll holder for toilet paper, welded to the crossbar and a 3 mm thick wall plate, which has six 6.5 mm diameter holes for fixing the bar to the wall.
- Long lasting performance.
- It incorporates a progressive friction brake system that allows placing the bar in 3 different positions (see figure 1). This system prevents the accidental collapse of the bar, helping keep bathrooms safer and barrier-free.
- Very recommended to be installed in toilets for people with reduced mobility or elderly. It can be used both in public spaces and at home.
- It is supplied with brick wall mounting bolts and screws.

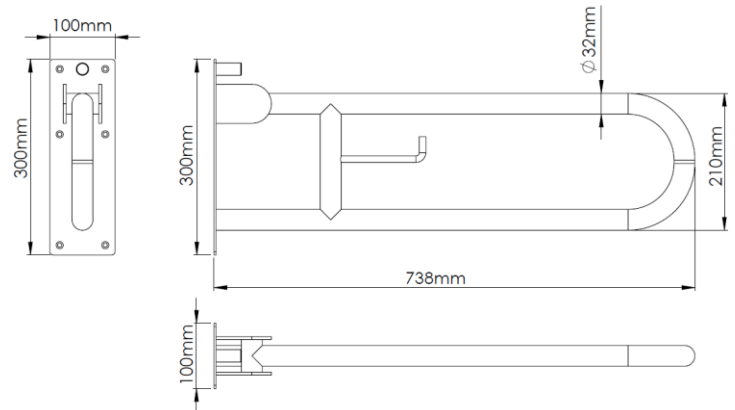
Components and materials

- **TUBING:** made of AISI 304 stainless steel, 32 mm diameter, seamless construction. Fixed to the wall plate through two gusset plates.
- **WALL PLATE:** made of AISI 304 stainless steel, 3 mm thick. Two 4.5 mm thick gusset plates, welded to the plate, perform the function of supporting the pivot axis of the folding bar. The wall mounting plate also has six Ø 6.5 mm countersunk holes for fixing the bar to the wall. Compatible with the installation of the Mediclinics' grab bars BG0800... and BG0850....
- **PAPER ROLL DISPENSER:** made of AISI 304 stainless steel rod, of a 10 mm diameter and welded in the center of the crosspiece.
- **PLASTIC STOPPER:** made of black rubber. It is located on the top of the wall plate and it prevents the bar from hitting the wall in its vertical position.

Technical specifications

Dimensions	738 x 300 x 100 mm
Bar diameter	Ø 32 mm
Wall plate thickness	3.0 mm
Gusset plates thickness	4.5 mm
Paper roll dispenser diameter	Ø 10 mm

Dimensions



Dimensions: ± 4%

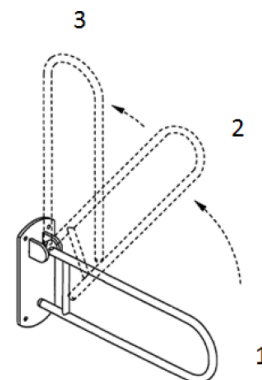
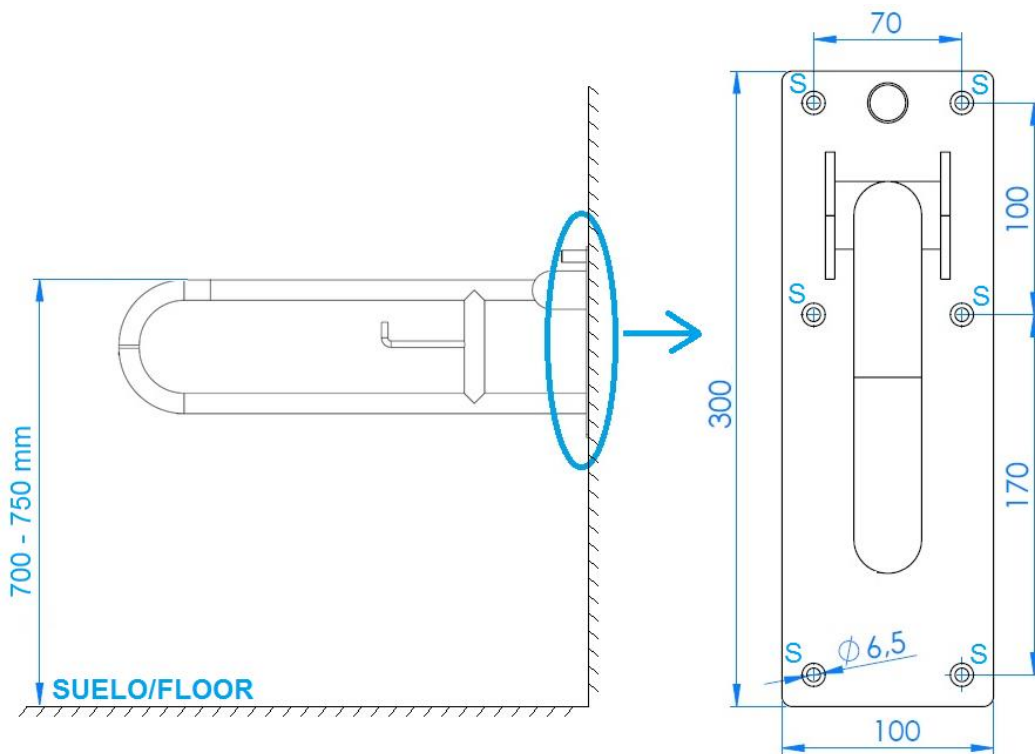


Figure 1

MOUNTING TEMPLATE

Fix the swing-up grab bar to the wall through the 6 holes of the wall plate, using the screws provided and taking into account the distances of the points indicated by an "S" in the following figure:



The upper part of the grab bar should be between 700 and 750 mm high from floor.

Mediclinics, S.A., reserves the right to make changes and/or modifications to the products and their specifications without prior notice
Review 11-18 © mediclinics S.A.

