

SENSOR OPERATED	U-FLOW
------------------------	---------------



M23A
White finish



M23AB
Black finish



M23ABT
All black finish



M23ACS
Satin finish

General description

- The U-Flow is a fast, energy efficient, environmentally friendly, hygienic & stylish hand dryer, suitable for high traffic facilities.
- “Hands-thru” model, it has one pair of IR sensors on both upper sides for instant hand detection.
- Maximum air speed 350 km/h.
- Dries hands in only 8 / 10 seconds.
- Adjustable motor power, allowing electricity consumption to be regulated between 420 and 1,100W.
- HEPA media filter that filters the solid particles in suspension (pollen, dust mites, tobacco smoke, etc.) significantly improving air quality, and with an anti-theft system as standard.
- It is delivered with an ionizer (“Ion Hygienic” technology) as standard that purifies the air through negatively charged particles (anions), eliminating many of the particles and germs carried by the air, making it healthier and pure. These ions inhibit the reproduction of micro-organisms in the product throughout its lifetime.
- Plug-in system as standard that facilitates a safer, more efficient and faster connection to the machine
- With Biocote® antimicrobial and antibacterial protection technology based on silver ions.
- 30 seconds safety timer.
- Lowest noise level in its category. (72.5-76.5 dBA).
- Easy maintenance, it can be connected directly to the main waste pipe of the bathroom to eliminate waste water from hand drying. Connection pipe as standard.
- Removable water tank with optional anti-theft system.

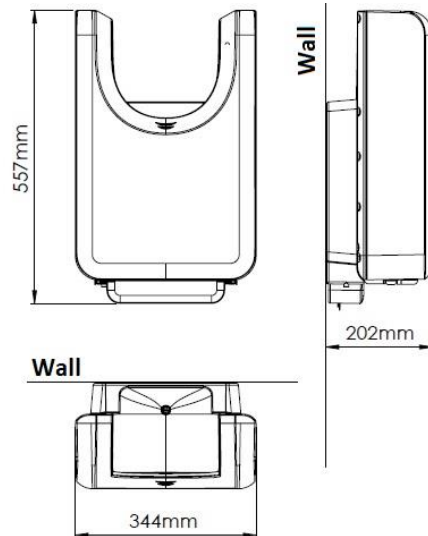
Components and materials

- **COVER:** made of high impact ABS.
- **BASE PLATE:** made of plastic PA6V0.
- **MOTOR:** high-speed class F universal brush motor, adjustable from 19,000 to 30,000 rpm, allowing electricity consumption and sound pressure to be regulated.
- **HEATING ELEMENT:** of 400W, made of a wavy wire and mounted on a mica frame.
- **HEPA MEDIA FILTER:** cartridge that holds an HEPA media filter that filters suspended solid particles (pollen, dust mites, cigarette smoke, etc.), notably improving the air quality. Furthermore, this cartridge also contains an activated carbon filtering media that neutralises odours and absorbs smokes and gases, helping avoid bad odours. It comes as standard.
- **IONIZER:** cleans and purifies the air through negative ions (anions) which remove microscopic particles from the air making it healthier. It comes as standard.
- **CONNECTION TO THE WASTE PIPE:** Included from the factory with the hand dryer. It can be connected directly to the waste pipe. Thus, there is no need to empty the water tank because the water always goes directly to the waste pipe.

Technical Specifications

Voltage	220- 240 V
Frequency	50/60 Hz
Electrical Insulation	Class I
Total power	420 – 1,500 W
Consumption	3,2 – 6,4 A
Motor power	420 – 1,100 W
Rpm	19,000 – 30,000
Heating element power	400 W (with “ON/OFF”switch)
Dimensions	557x344x202 mm
Weight	7,1 Kg
Cover thickness	3 mm
Drying time	8-10 sec.
Air speed	252 – 350 Km/h
Air temperature (10 cm distance/21°C)	40 °C
Protection rating	IP23

Dimensions



Dimensions: ± 4%

- **INNER TANK:** collects the water. It is removable. Also, the U-flow can be connected directly to the waste pipe.
- **AUTO-CHECK LIGHTING:** for fast diagnosis of the dryer (green – Stand by, yellow - machine running, blue - full tank, red - check engine). Optical and acoustic full tank warning.
- **ODOUR NEUTRALISER:** for a cleaner and more pleasant atmosphere in the bathroom. (optional).

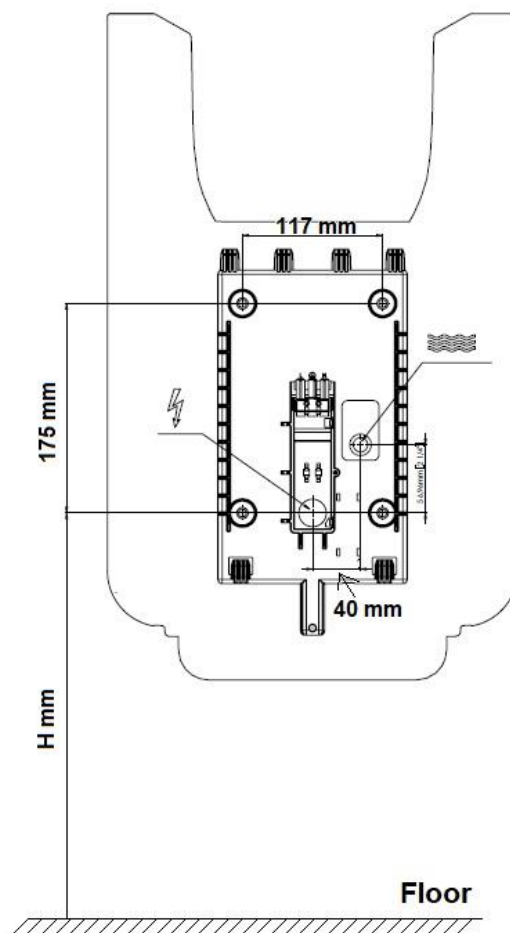
Operation

Place your hands between the air outlets, in the “U” area, near the IR sensors. The dryer will start automatically and remain on with no interruption as long as your hands are kept in the detection range of the sensor. Move your hands as you like but always within the detection range of the sensors. The appliance will stop 2 seconds after your hands are removed from the airflow.



Mounting

Recommended heights distance from the floor

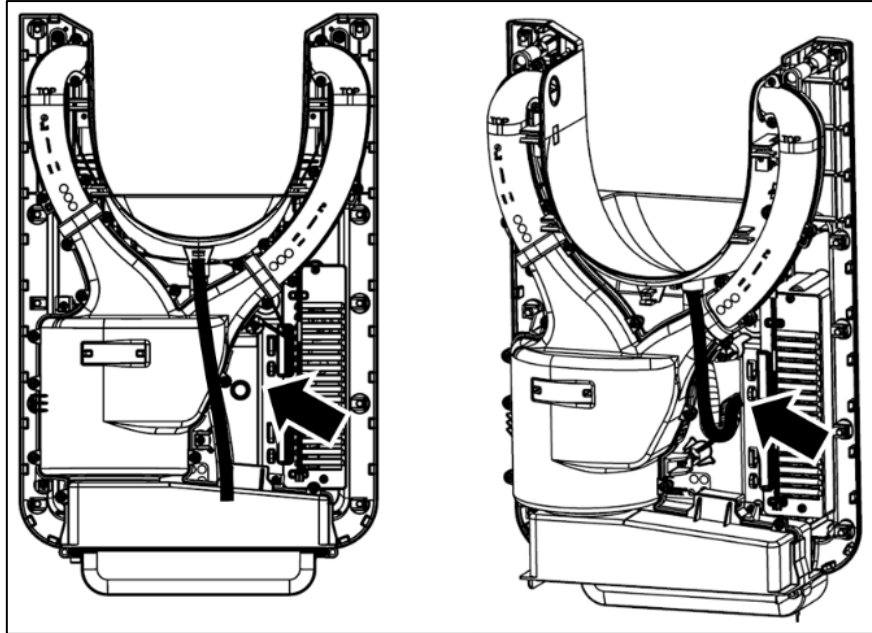


H = 73 cm

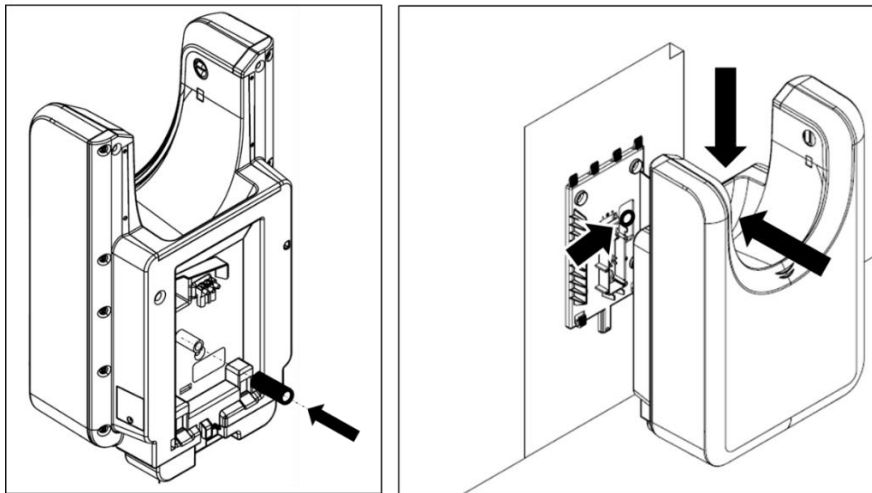
Connection to the waste pipe

The M23A hand dryer is designed for direct connection to the main water drain. Follow the steps below to make the connection:

Remove the cover and connect the end of the drain pipe, which goes to the water tank, to the hole in the base marked with an arrow in the figures. Close the cover.



Fit the hose supplied with the machine to the water drain at the rear of the machine. Mount the machine on the wall keeping in mind that the hose mounted on the machine must enter the drain in the wall.



Certificates and Qualifications

